



Linear Ceiling Baffle

Product Specifications

Description

FUZ Linear Baffles are single baffles with a top channel in anodized aluminum, black plastic, or a FUZ U-channel (direct mount application), offering adjustable hang points for each individual baffle.

Dimensions

Thickness: 9mm
Height: 11.75"
Lengths: 97.5"
Custom sizes available

Top Channel

Metal or Plastic U-Channel
FUZ U-Channel (direct mount application)

Content

100% polyester PET fibre material

Application

Ceiling

Acoustic Performance

NRC rating up to 0.60

Fire Rating

ASTM E-84 - Class A

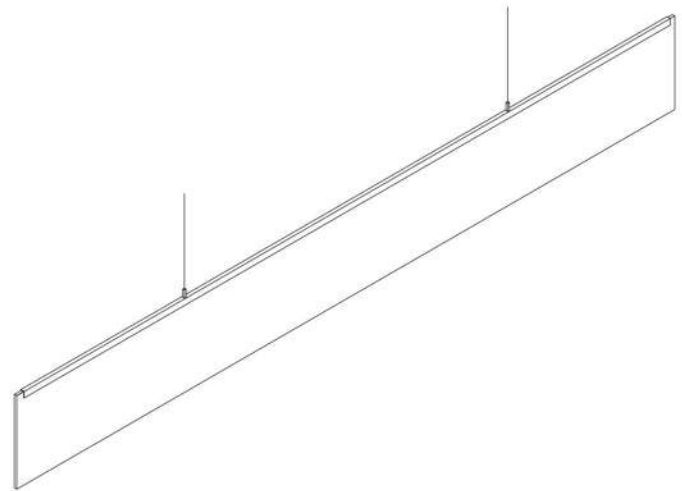
Maintenance

Vacuum to remove general air-borne debris

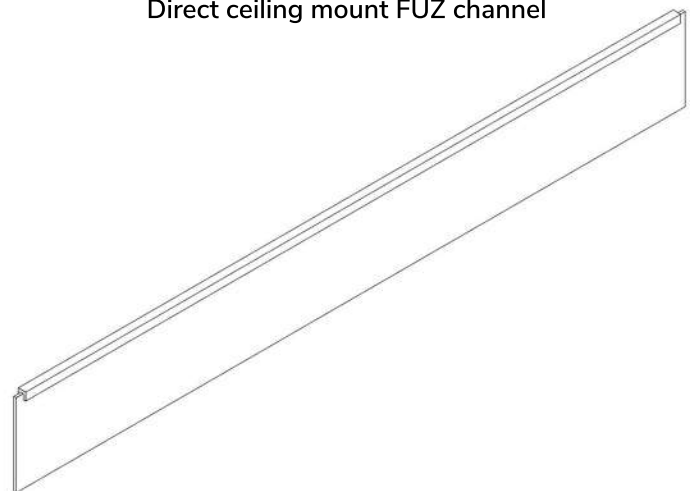
Installation

Suspension clips & cable or
Direct ceiling mount

Metal or plastic U-channel suspended with cable

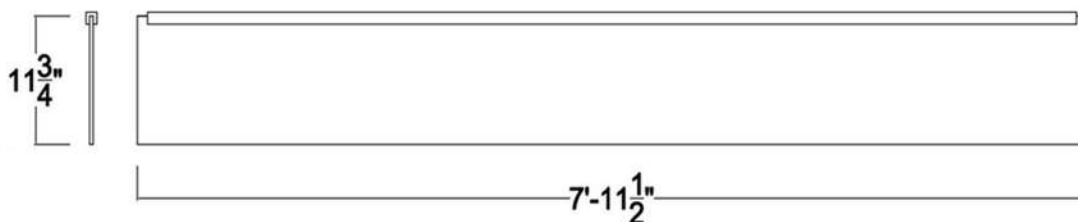


Direct ceiling mount FUZ channel

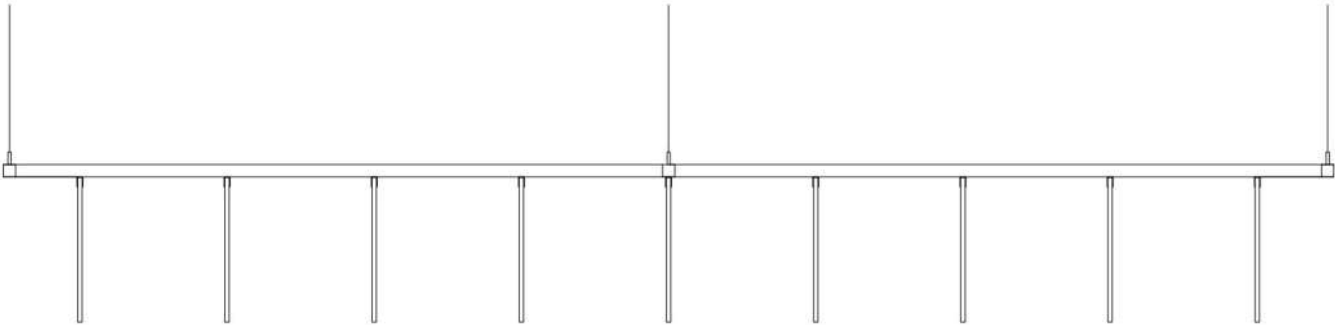
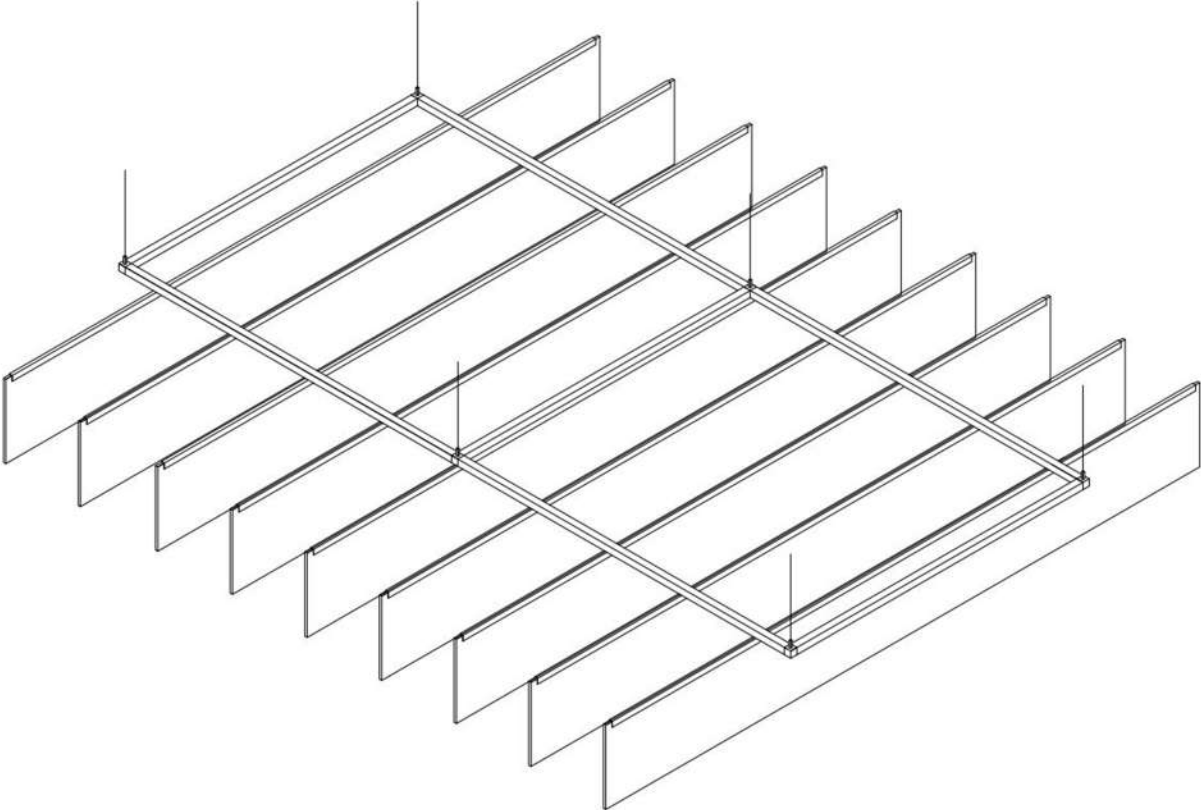


Standard dimensions of a FUZ Linear Baffle

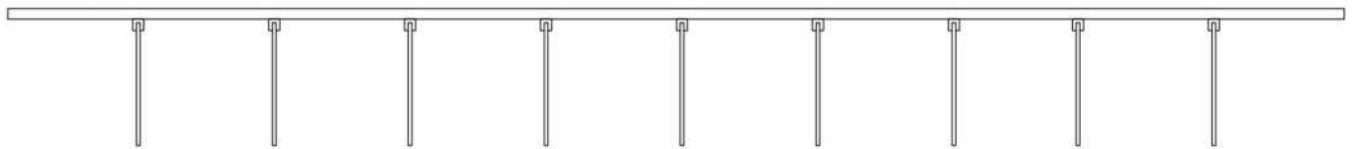
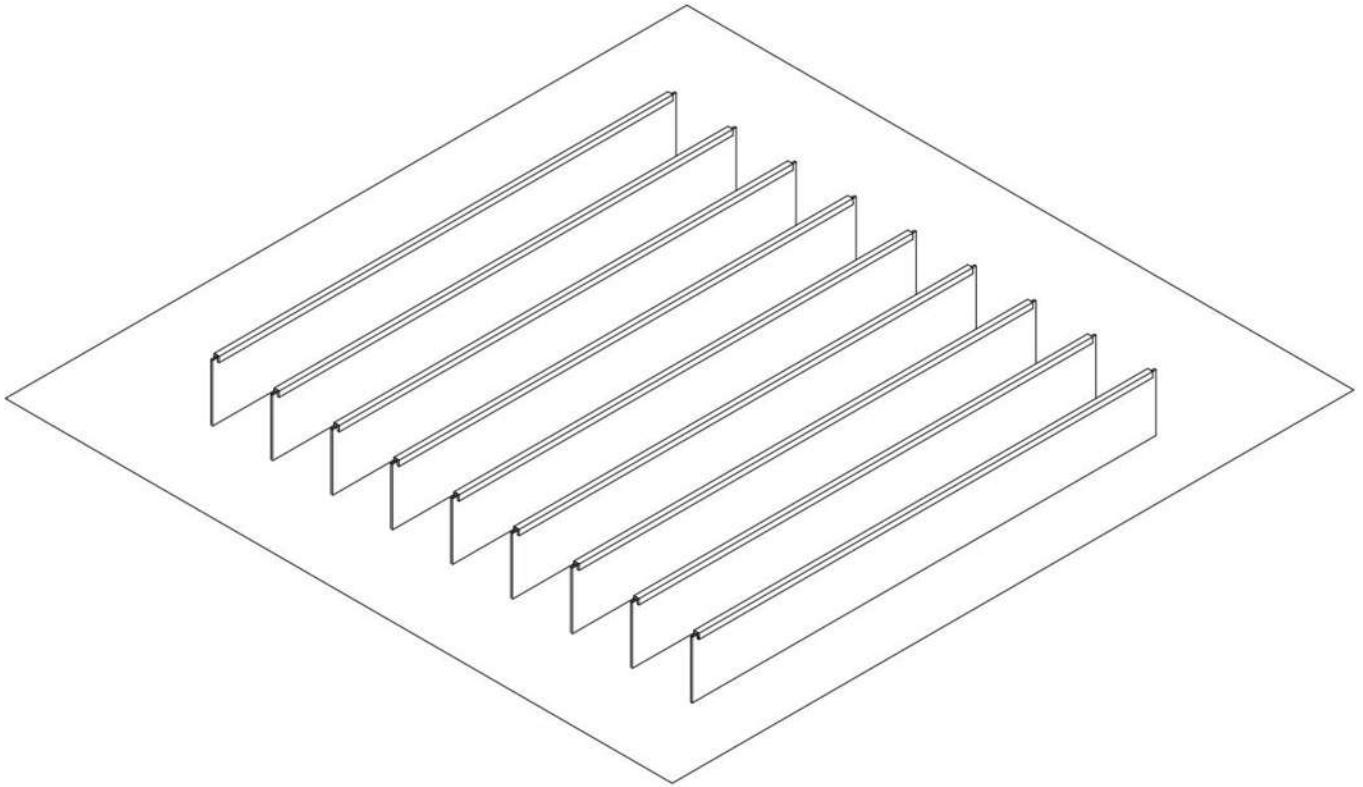
*Custom sizes available



Suspended U-channel Grid



Direct Ceiling Mounted Grid



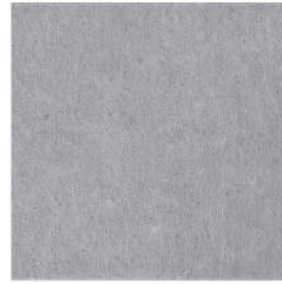
Colour Selection



Colour 105



Colour 104



Colour 706



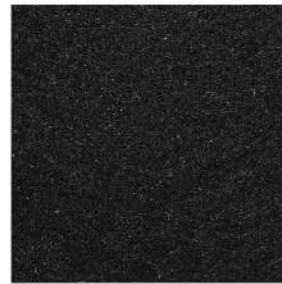
Colour 132



Colour 133



Colour 134



Colour 111



Colour 101



Colour 821



Colour 825



Colour 619



Colour 620



Colour 214



Colour 512

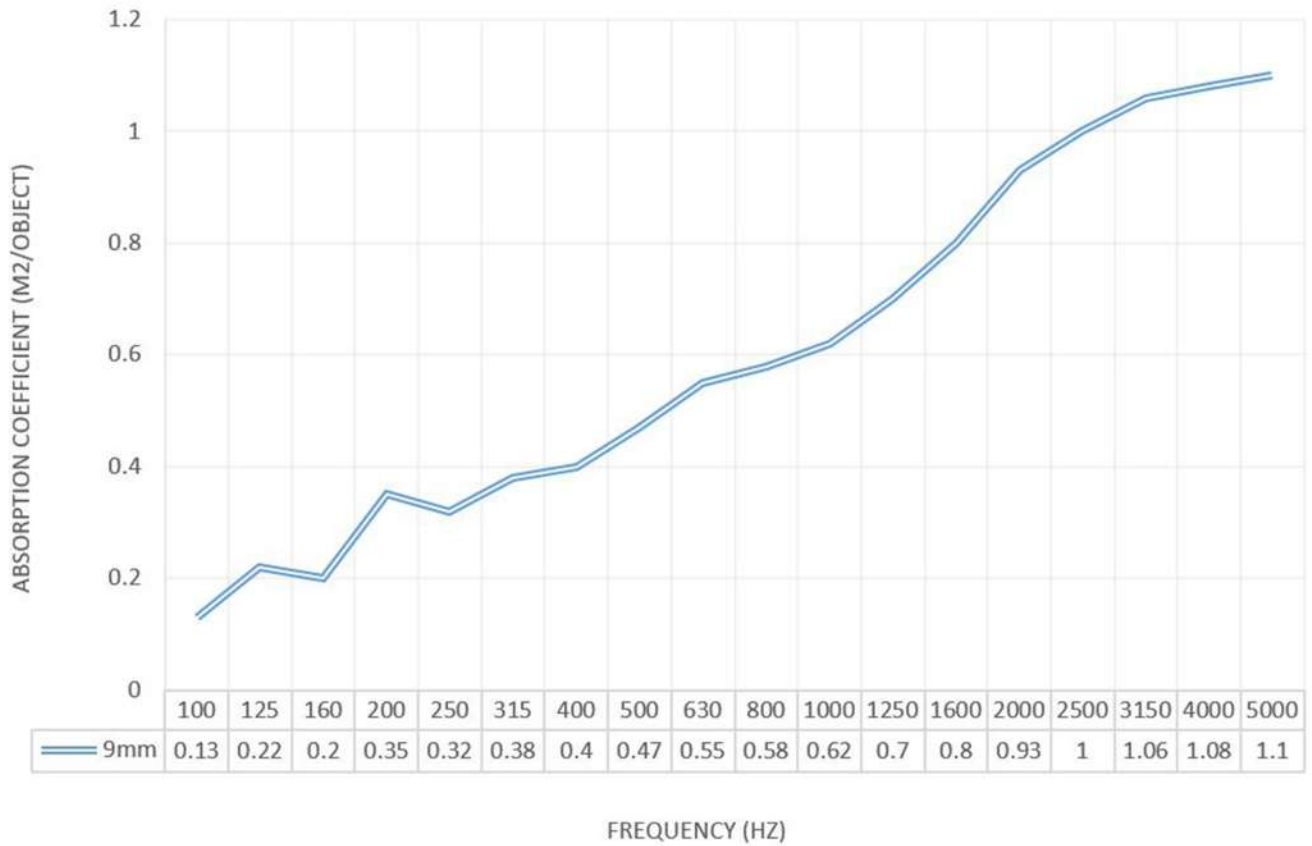


Colour 410



Colour 409

Acoustic Performance



- NRC 0.60
- SAA 0.58

Refer to the ASTM C423 chart for individual values of Absorption coefficients/frequency.

NRC ratings are subject to various circumstances such as mounting conditions and analytical properties.

